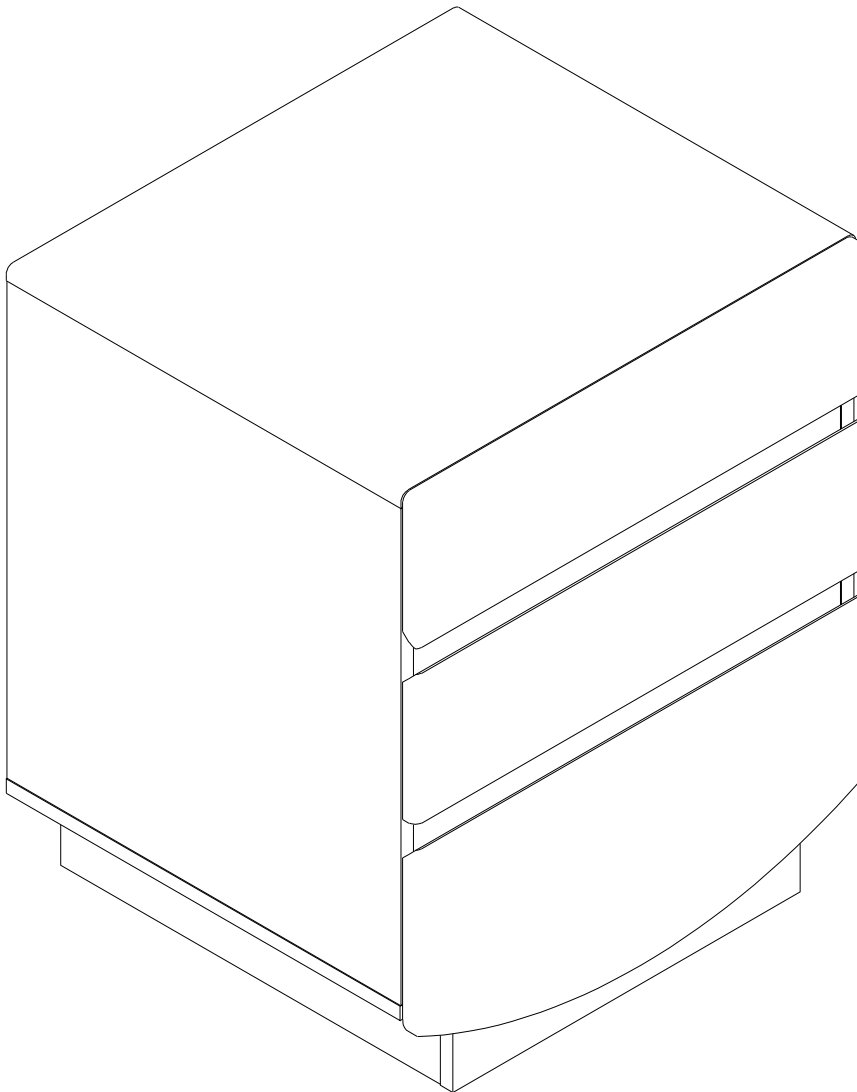
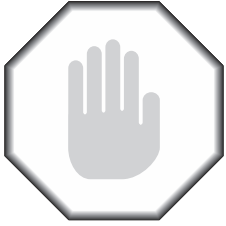




**MANHATTAN
COMFORT**

NS1673



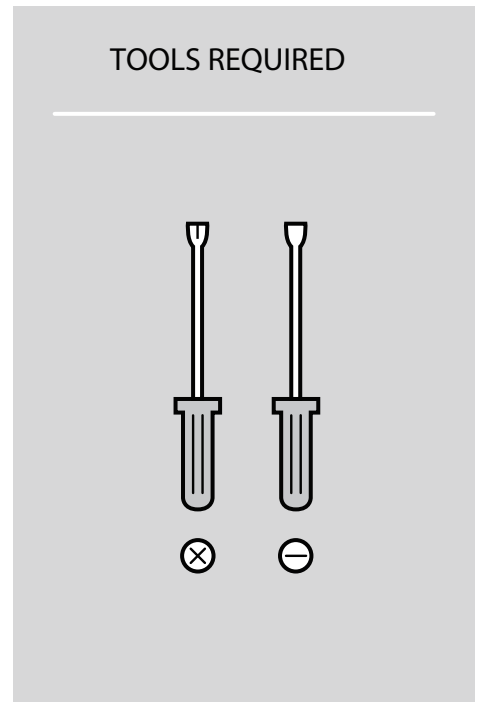
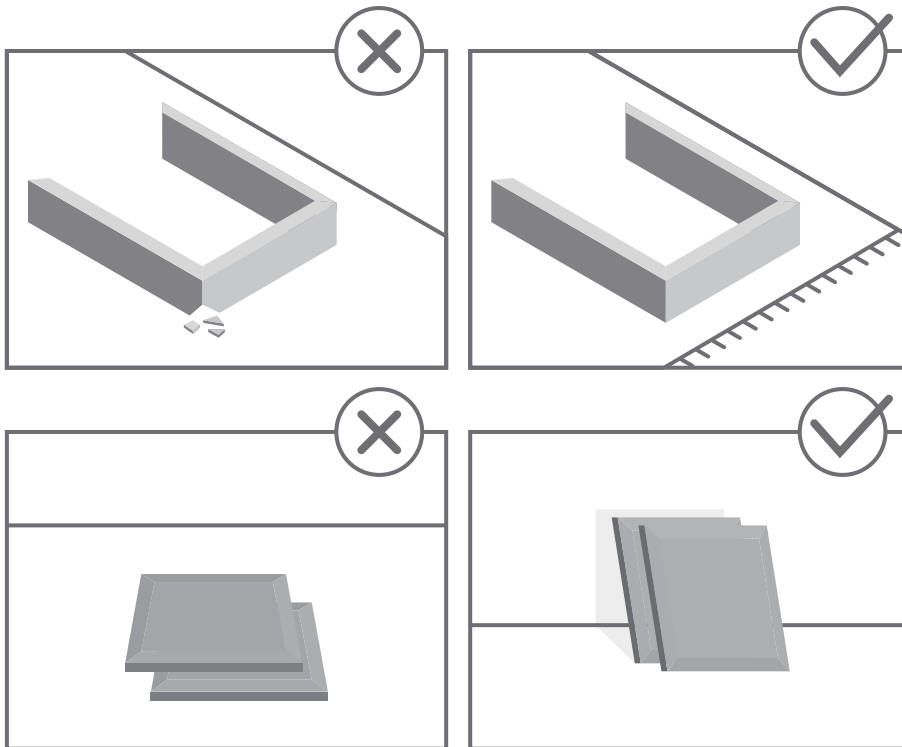


STOP!

Before beginning the assembly process, ensure all boxes and parts have been delivered.

FOR BEST RESULTS:

- Do not throw away packaging materials until assembly is complete.
- Assemble item on a soft surface, such as cardboard or carpet, to protect finish.
- Proper assembly requires two people.



View our assembly video online:
WWW.MANHATTANCOMFORT.COM



Stuck? Question? We are here to help.
tel: 908-888-0818
e-mail: help@manhattancomfort.com

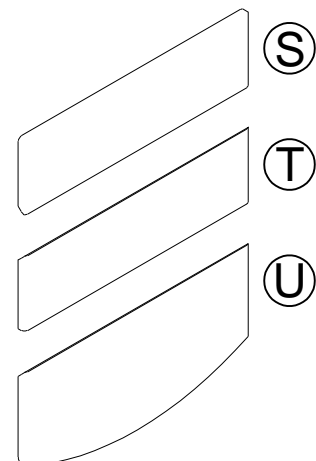
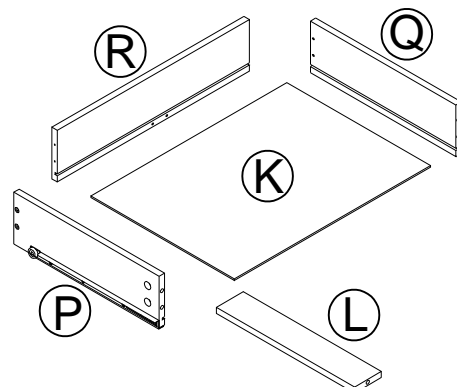
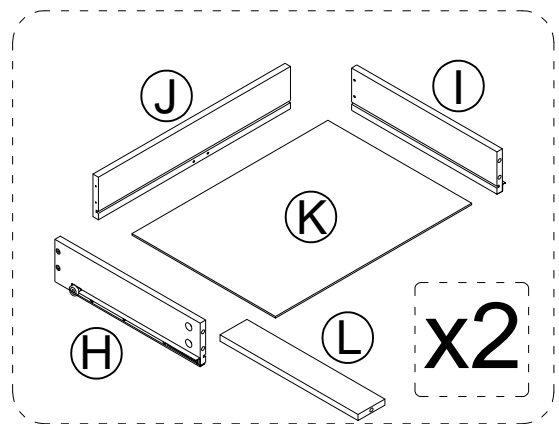
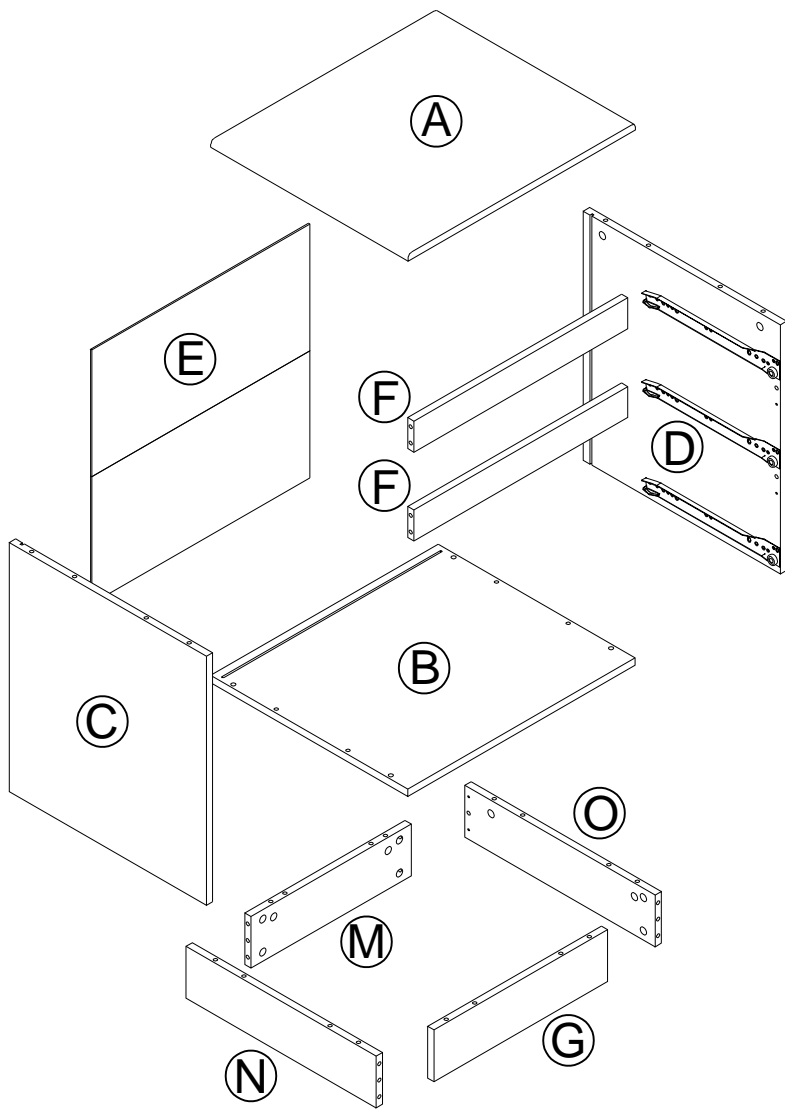
Support Site



Included in this package:

- A. TOP PANEL(1)
- B. BOTTOM PANEL(1)
- C. LEFT PANEL (1)
- D. RIGHT PANEL (1)
- E. BACK PANEL (1)
- F. FRONT HORIZONTAL PANEL (2)
- G. FRONT FOOTBOARD PANEL (1)

- H. DRAWER LEFT PANEL A(2)
- I. DRAWER RIGHT PANEL A (2)
- J. DRAWER BACK PANEL A(2)
- K. DRAWER BOTTOM PANEL (3)
- L. DRAWER SUPPORT PANEL (3)
- M. BACK FOOTBOARD PANEL (1)
- N. LEFT FOOTBOARD PANEL (1)
- O. RIGHT FOOTBOARD PANEL (1)
- P. DRAWER LEFT PANEL B(1)
- Q. DRAWER RIGHT PANEL B (1)
- R. DRAWER BACK PANEL B(1)
- S. TOP DRAWER FRONT PANEL (1)
- T. MIDDLE DRAWER FRONT PANEL (1)
- U. BOTTOM DRAWER FRONT PANEL (1)

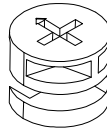


Hardware Identification

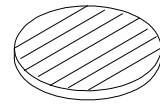
① KD BOLT - 39pcs
L=35mm



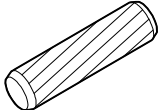
② KD LARGE CAM - 24pcs
Ø15*11mm



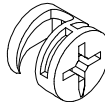
③ COVER CAP - 39pcs



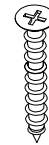
④ WOOD DOWEL-24pcs
Ø8*30mm



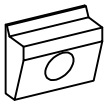
⑤ KD SMALL CAM - 15pcs
Ø15*9mm



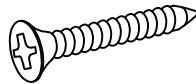
⑥ SCREW - 18pcs
Ø4*38mm



⑦ PLASTIC WEDGE - 10pcs



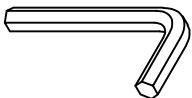
⑧ SCREW - 10pcs
Ø3*17mm

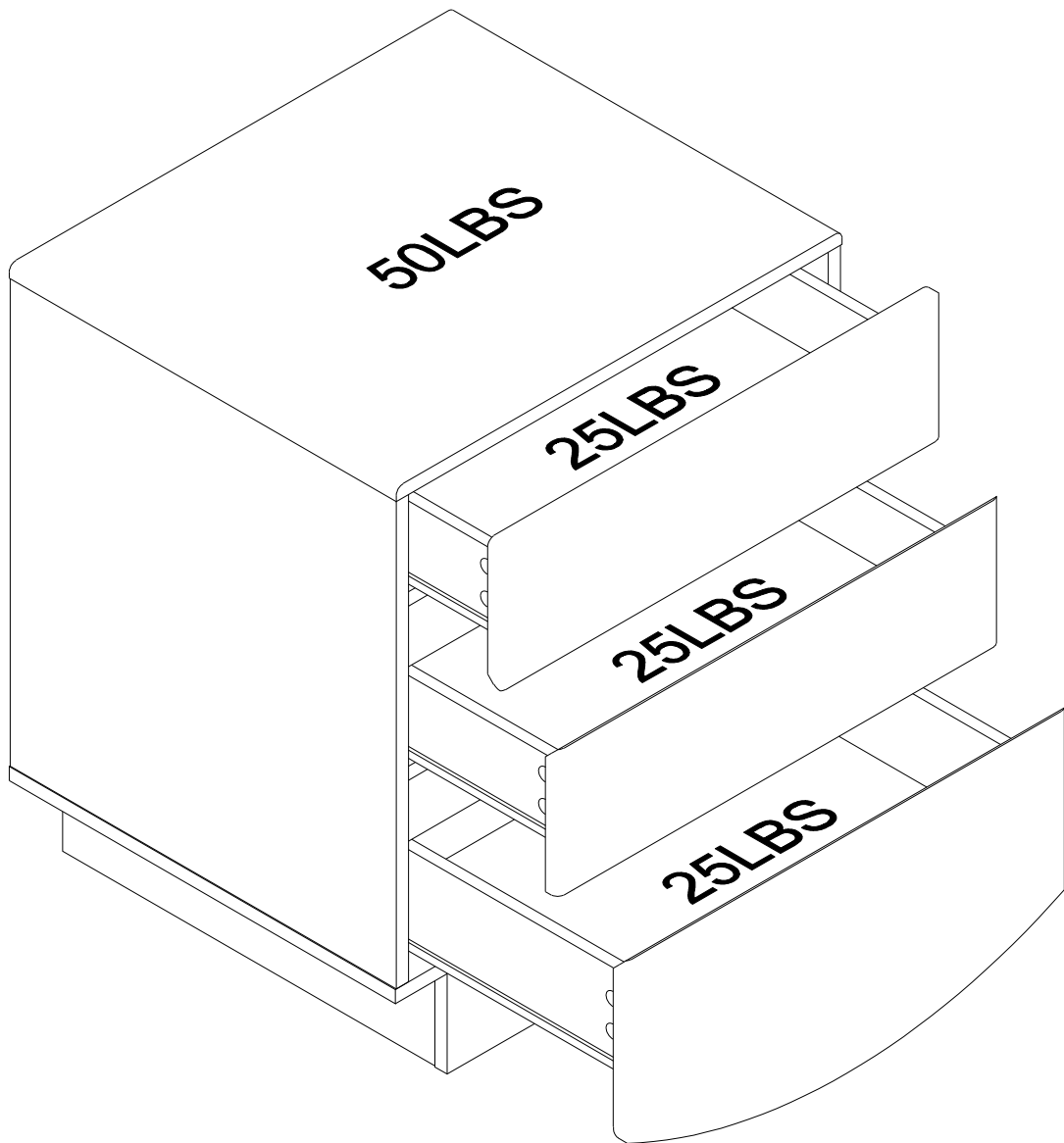


⑨ SCREW - 4pcs
Ø6*50mm



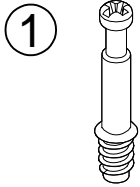
⑩ LOCK - 1pc



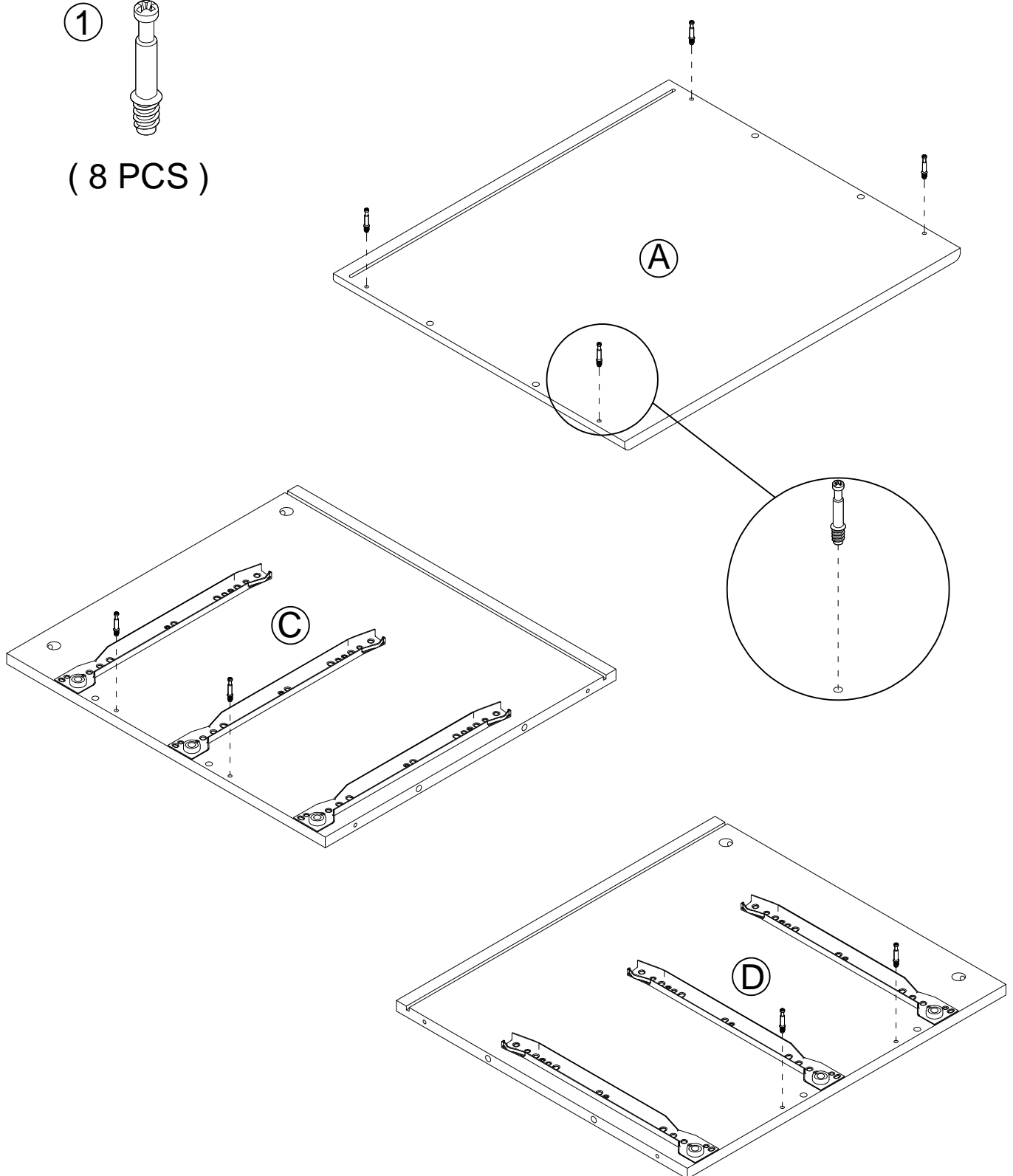


Step 1:

* Insert Eight KD BOLT (1) to the TOP PANEL (A), LEFT PANEL (C) and RIGHT PANEL(D).



(8 PCS)



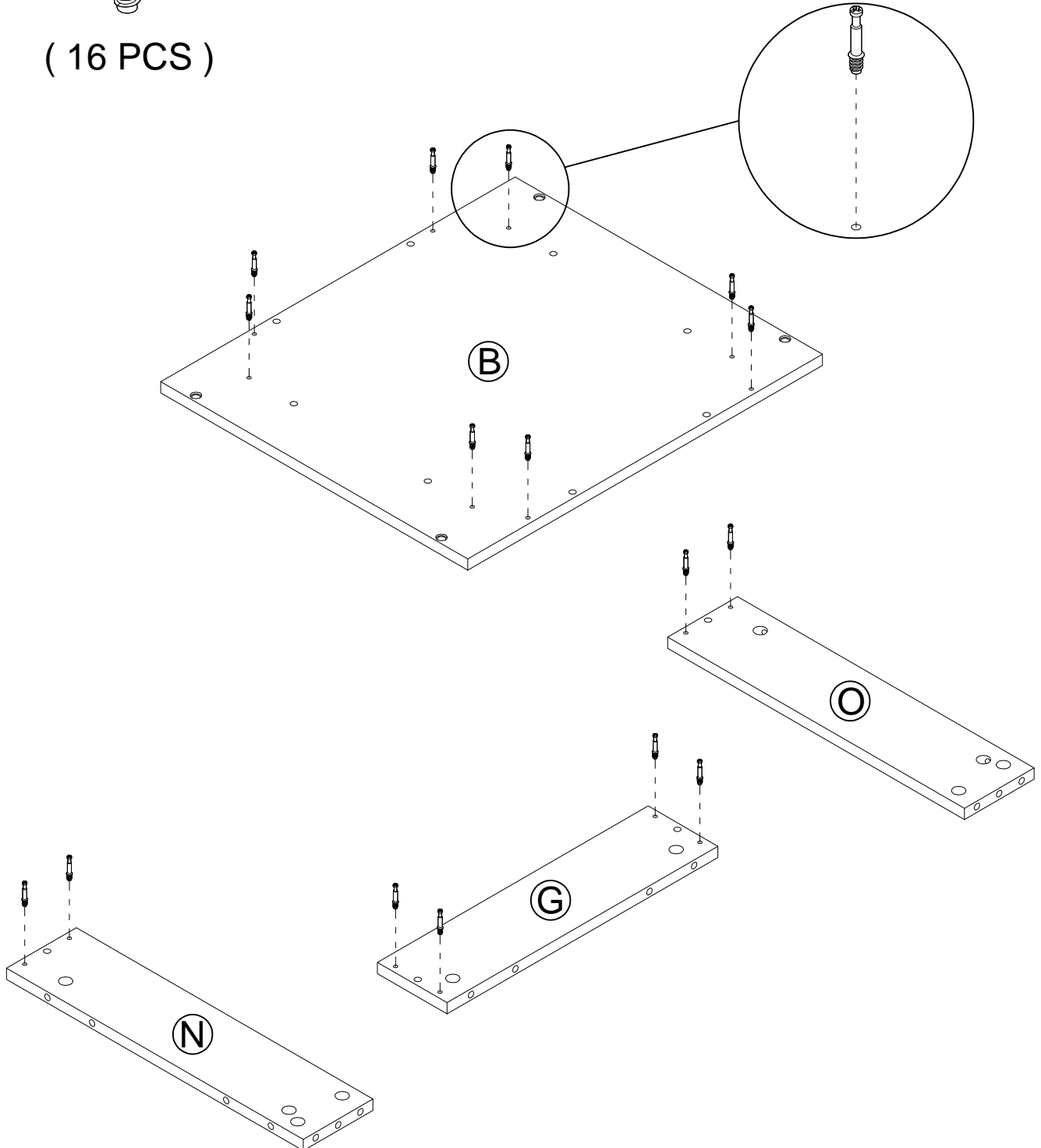
Step 2:

* Insert Sixteen KD BOLT (1) to the BOTTOM PANEL(B), FRONT FOOTBOARD PANEL (G), LEFT FOOTBOARD PANEL (N) and RIGHT FOOTBOARD PANEL (O).

①

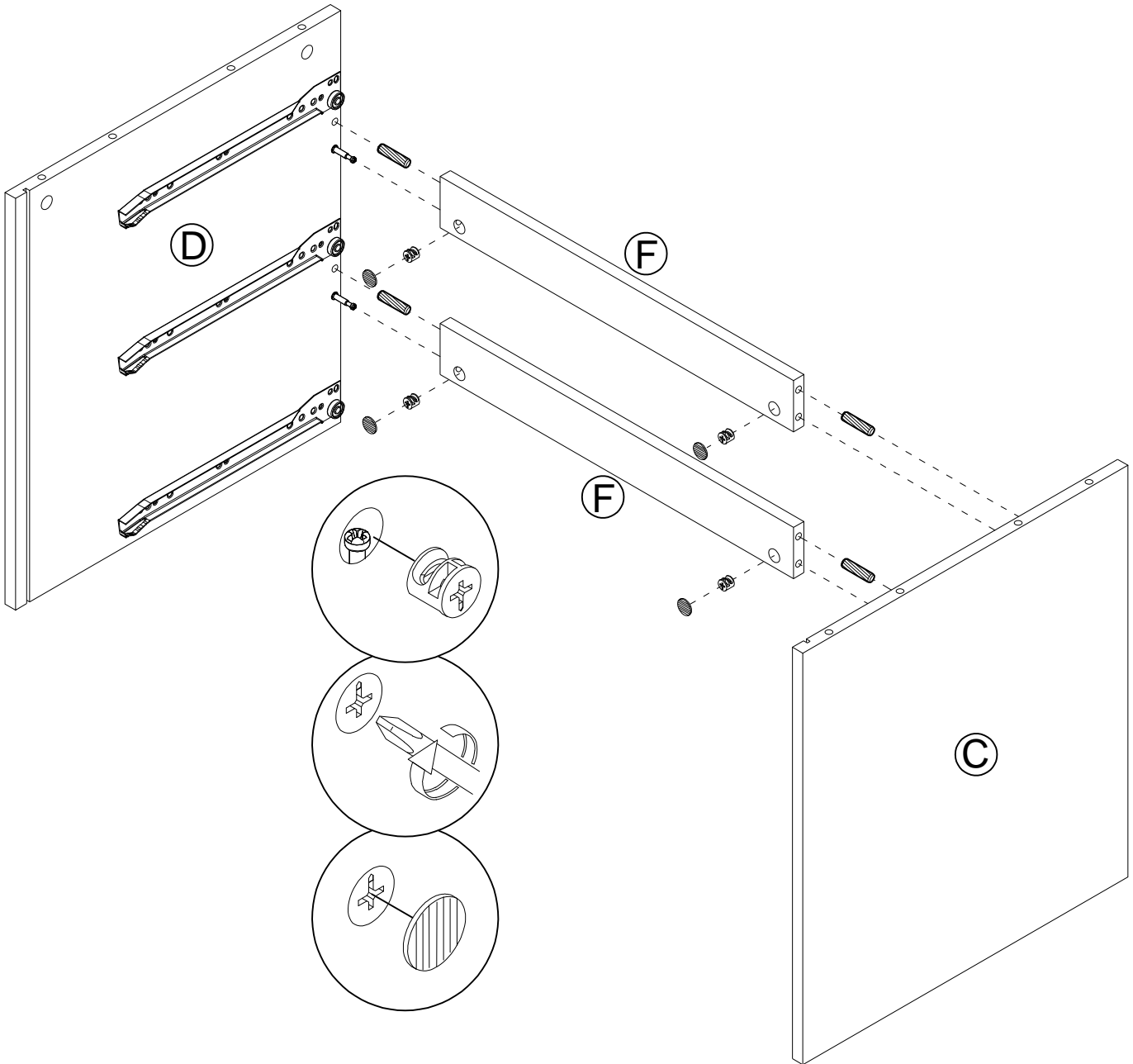
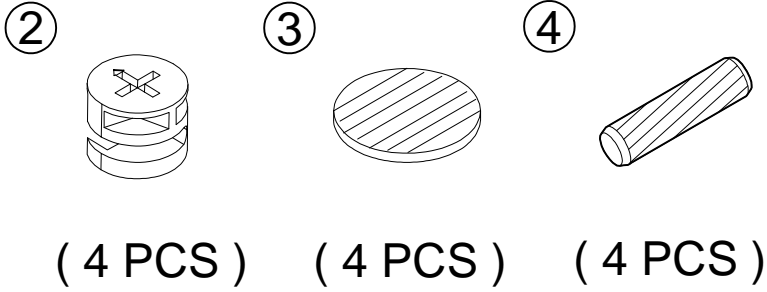


(16 PCS)



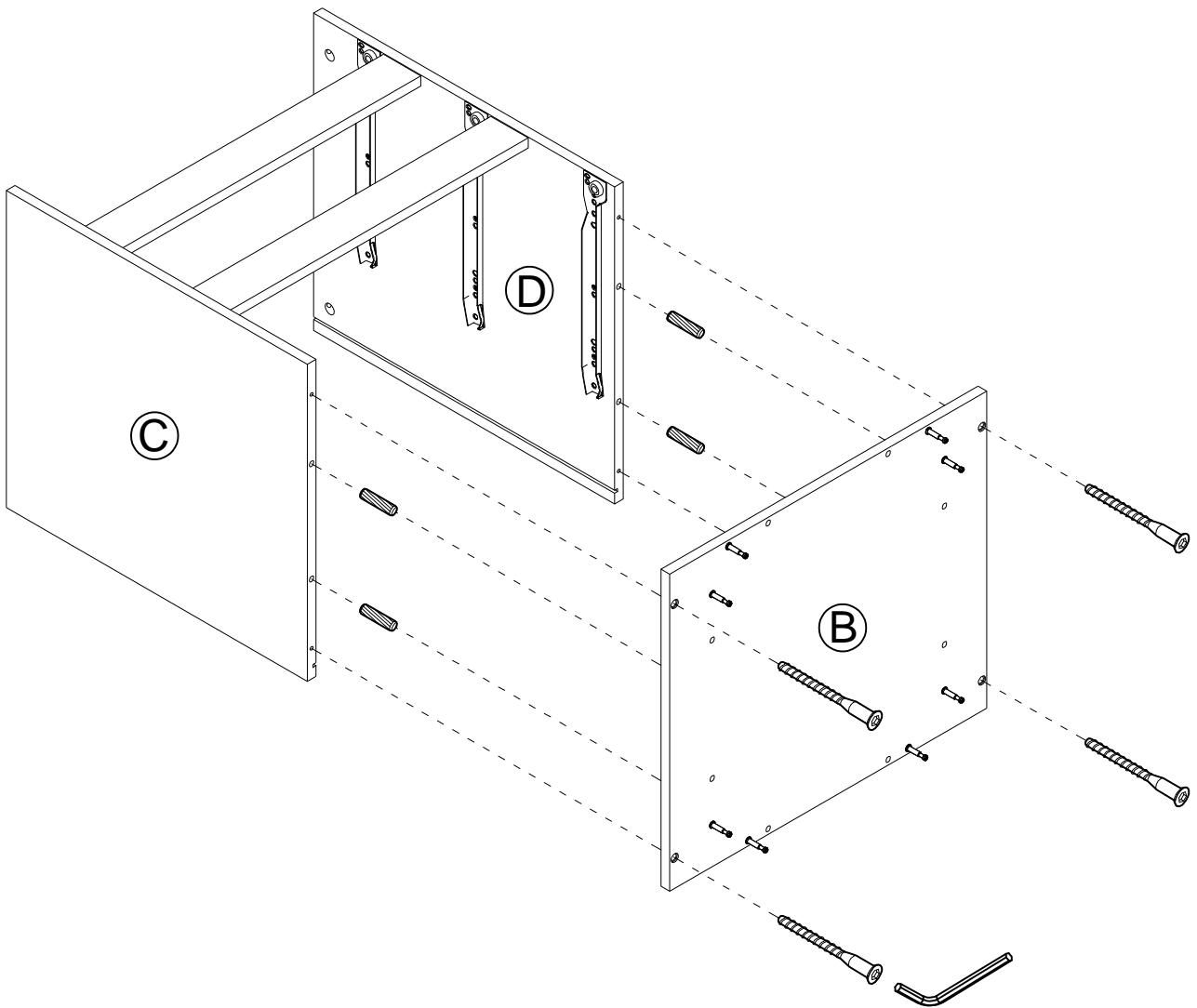
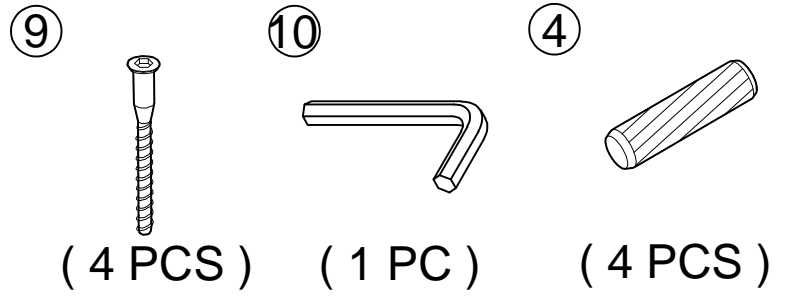
Step 3:

* Attach the Two FRONT HORIZONTAL PANEL (F) to the LEFT PANEL (C) and RIGHT PANEL (D) by the Four KD LARGE CAM (2) , Four COVER CAP (3) and Four WOOD DOWEL (4) .



Step 4:

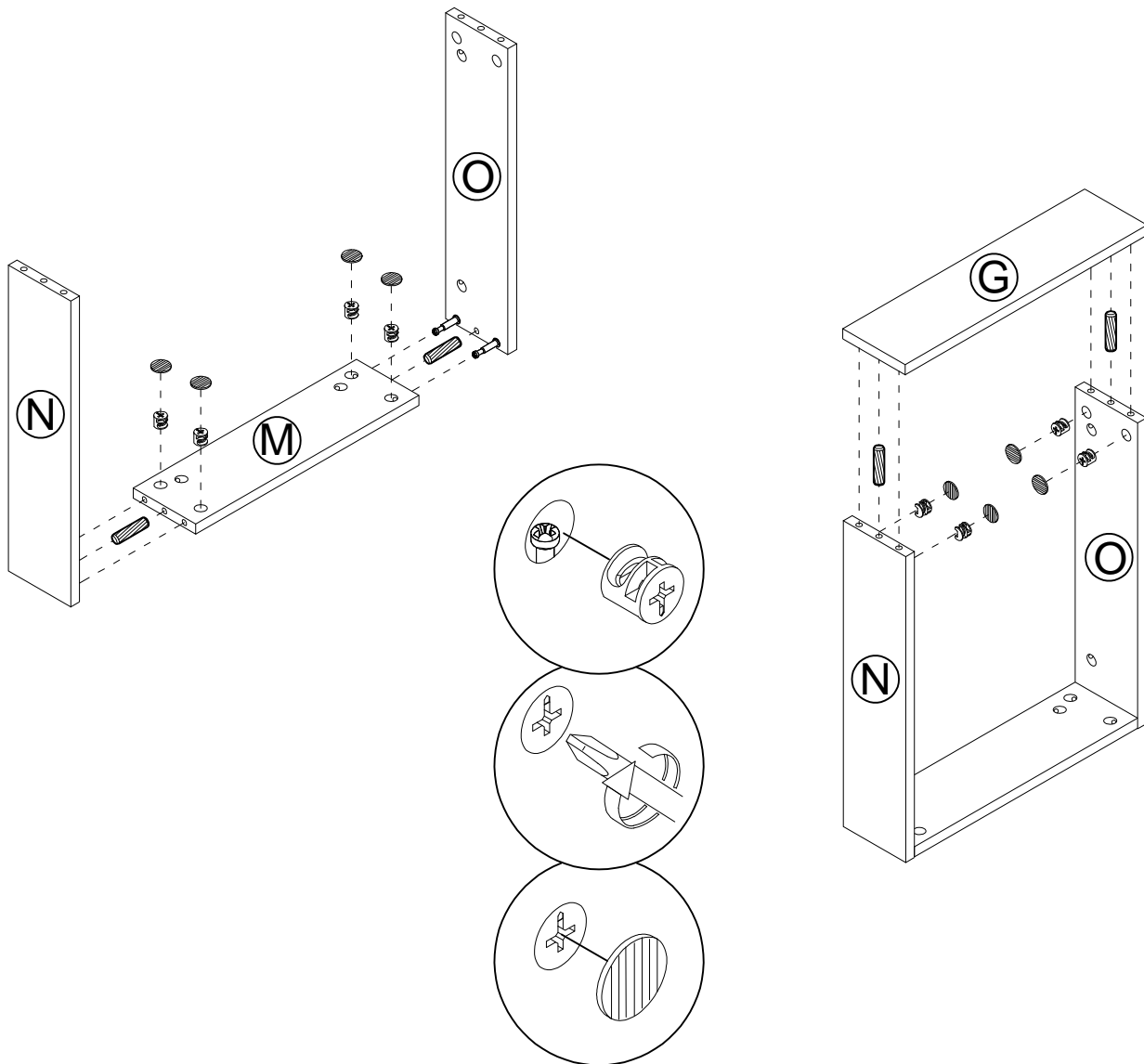
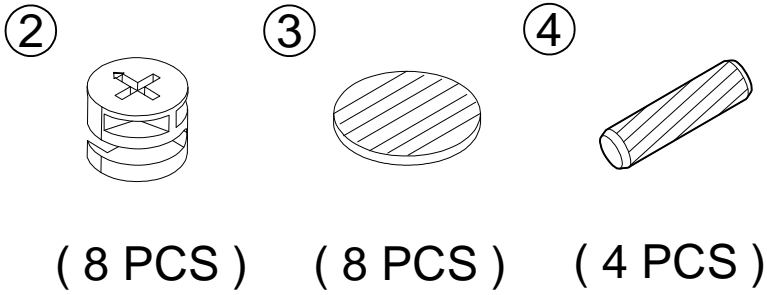
* Attach the BOTTOM PANEL(B) to the LEFT PANEL (C) and RIGHT PANEL(D) by the Four Screw(9), Four WOOD DOWEL (4) and LOCK(10).



Step 5:

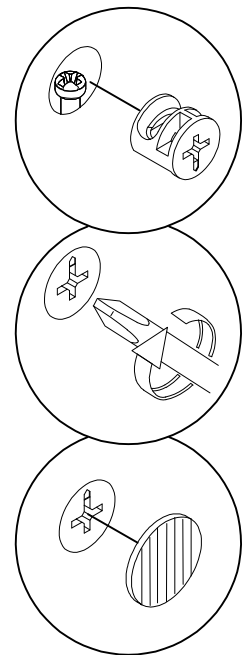
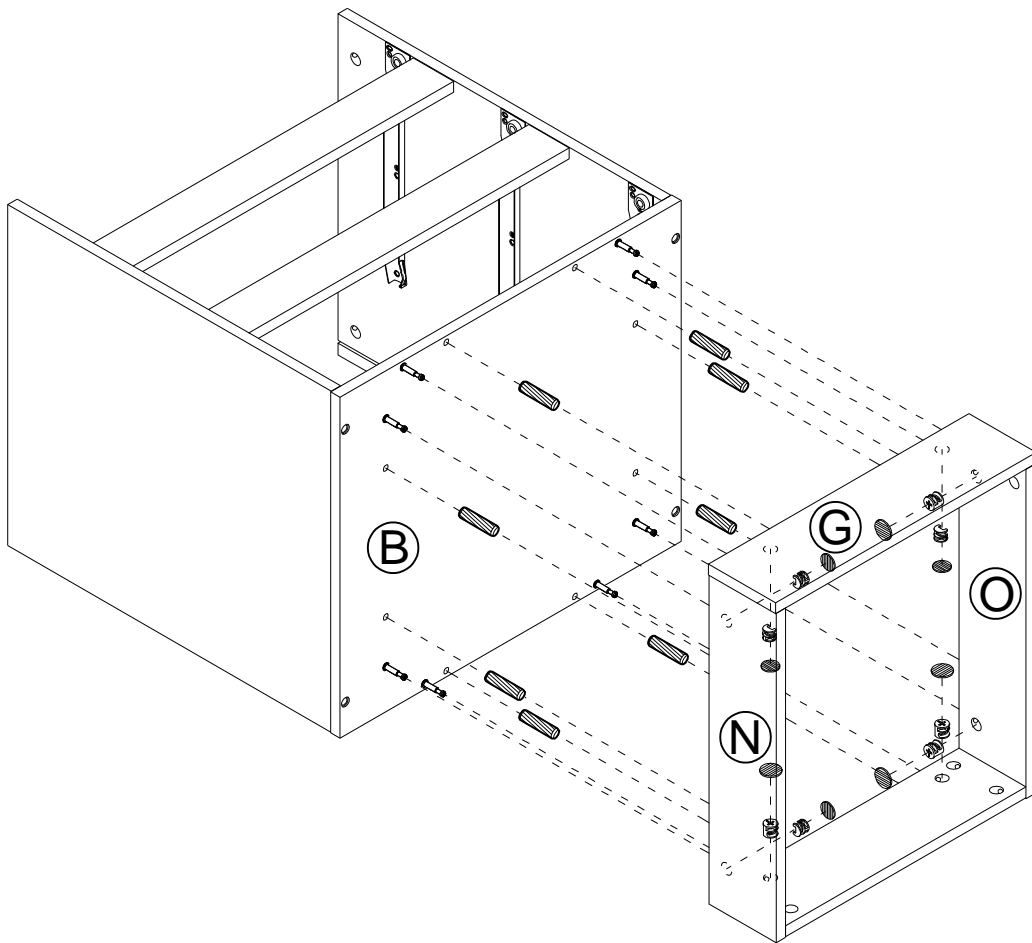
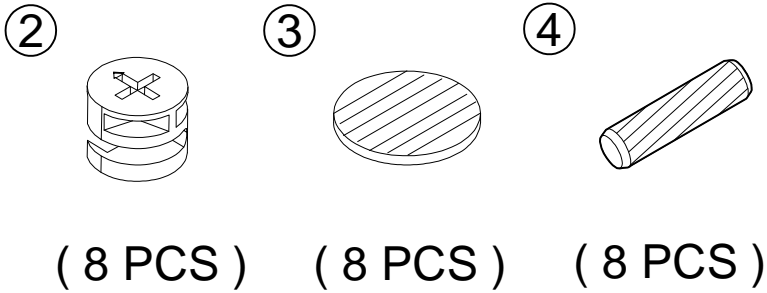
* Attach the LEFT FOOTBOARD PANEL (N) and RIGHT FOOTBOARD PANEL (O) to the BACK FOOTBOARD PANEL (M) by the Four KD LARGE CAM (2) , Four COVER CAP (3) and Two WOOD DOWEL (4) .

* Attach the LEFT FOOTBOARD PANEL (N) and RIGHT FOOTBOARD PANEL (O) to the FRONT FOOTBOARD PANEL (G) by the Four KD LARGE CAM (2) , Four COVER CAP (3) and Two WOOD DOWEL (4) .



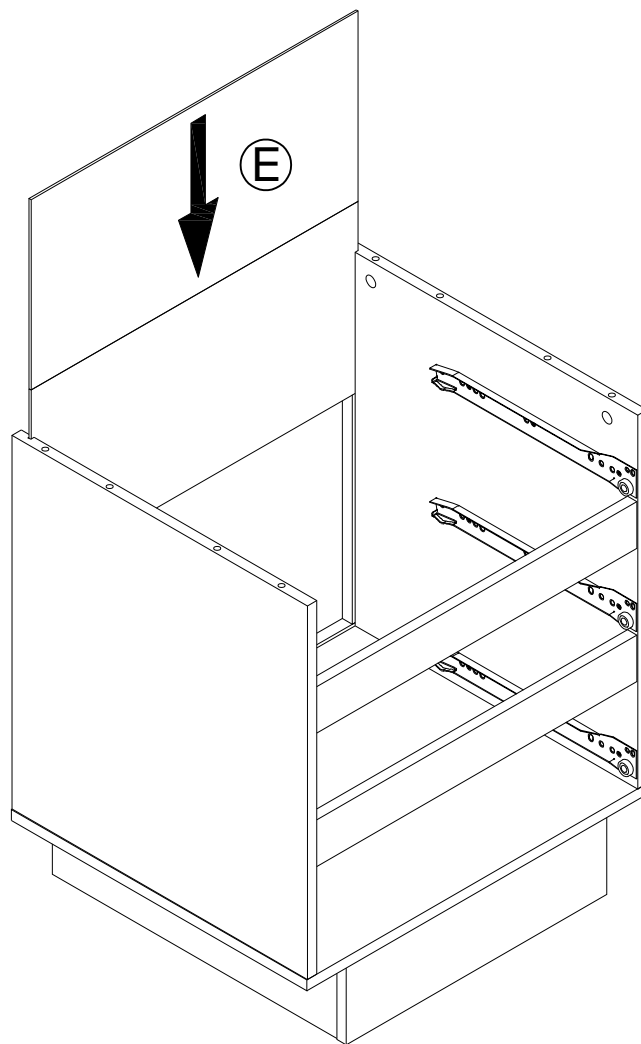
Step 6:

* Attach the LEFT FOOTBOARD PANEL (N), RIGHT FOOTBOARD PANEL (O), BACK FOOTBOARD PANEL (M) and FRONT FOOTBOARD PANEL (G) to the BOTTOM PANEL (B) by the Eight KD LARGE CAM (2), Eight COVER CAP (3) and Eight WOOD DOWEL (4).



Step 7:

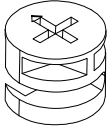
* Insert the BACK PANEL (E) to the stand.



Step 8:

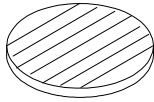
* Attach the TOP PANEL(A) to the LEFT PANEL(C) and RIGHT PANEL(D) by the Four KD LARGE CAM (2) , Four COVER CAP (3) and Four WOOD DOWEL (4) .

②



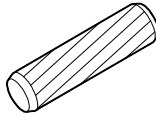
(4 PCS)

③

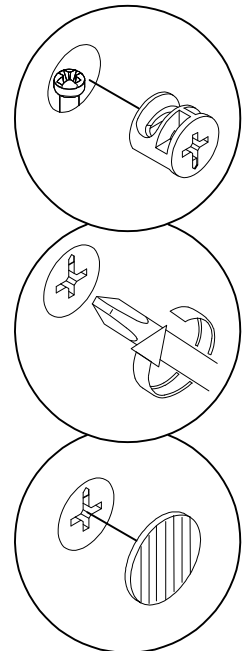
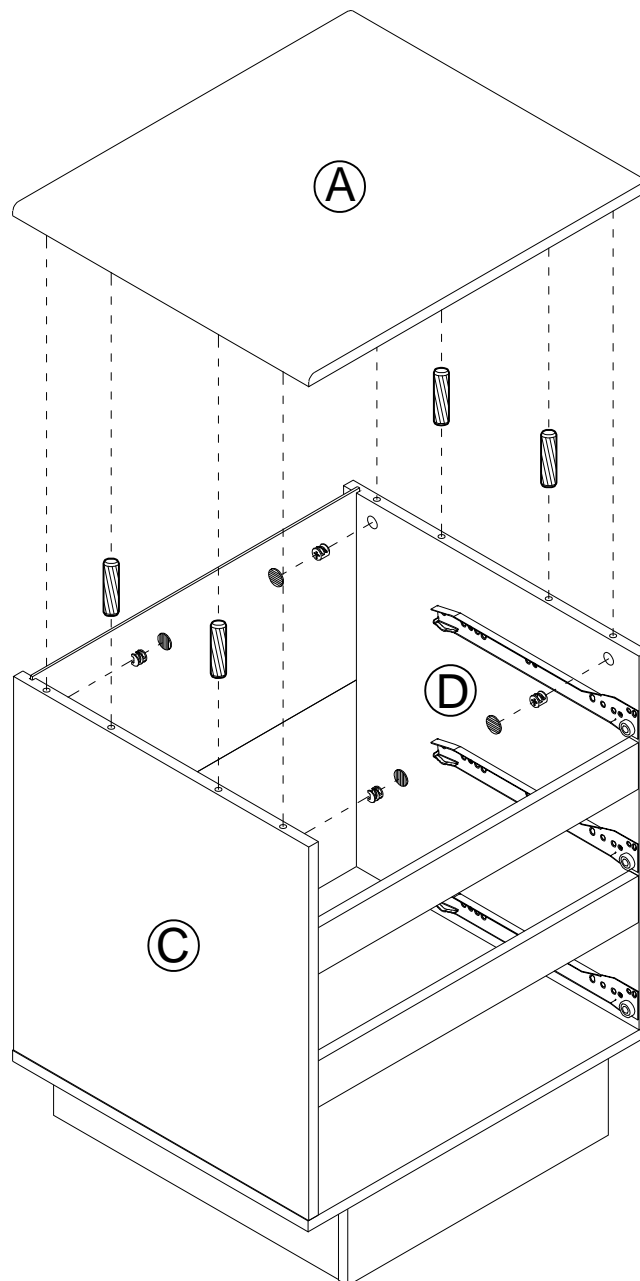


(4 PCS)

④



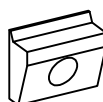
(4 PCS)



Step 9:

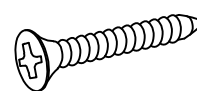
* Insert Ten PLASTIC WEDGE(7) and Eight SCREW(8) to the BACK PANEL (E).

⑦

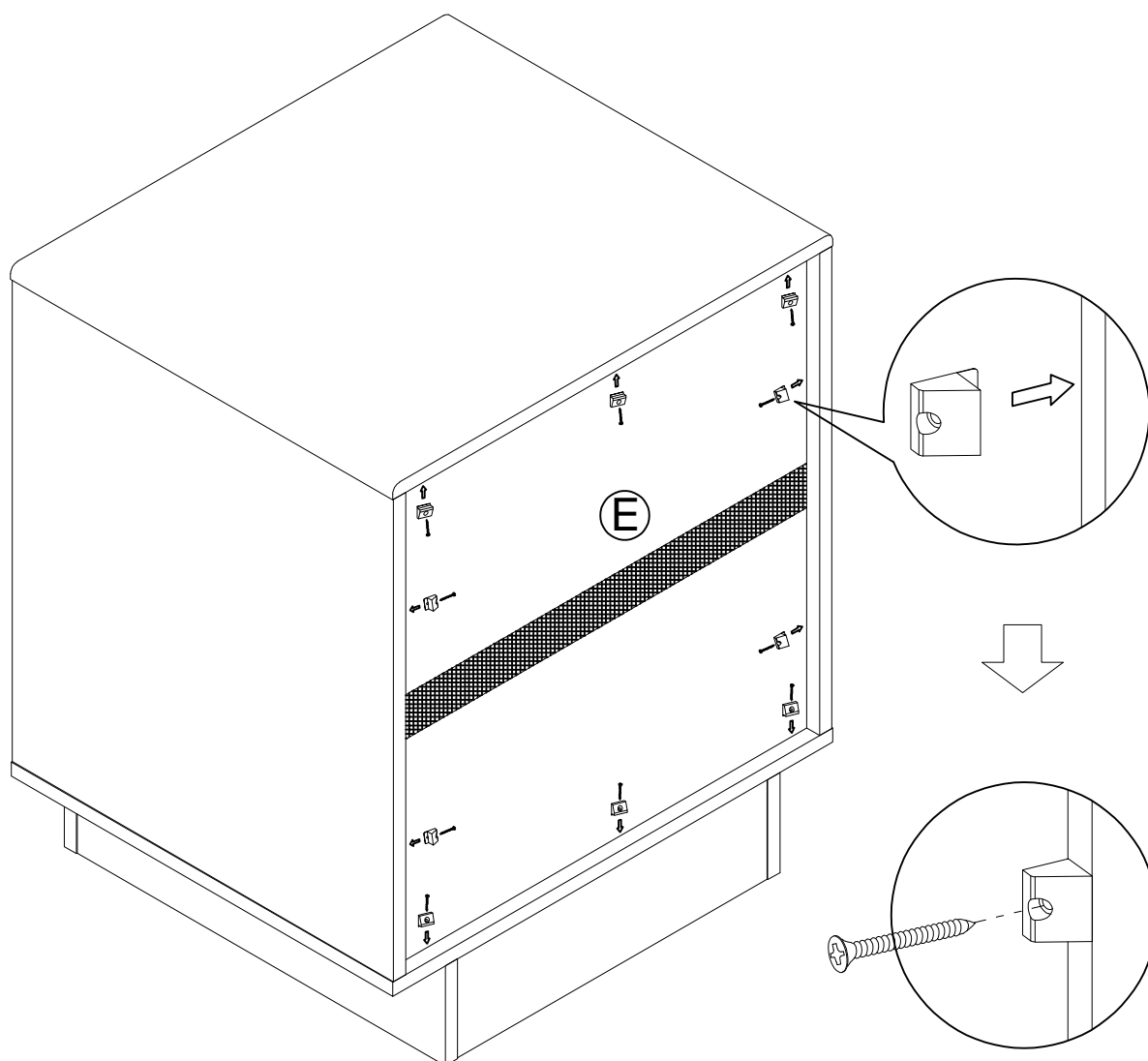


(10 PCS)

⑧

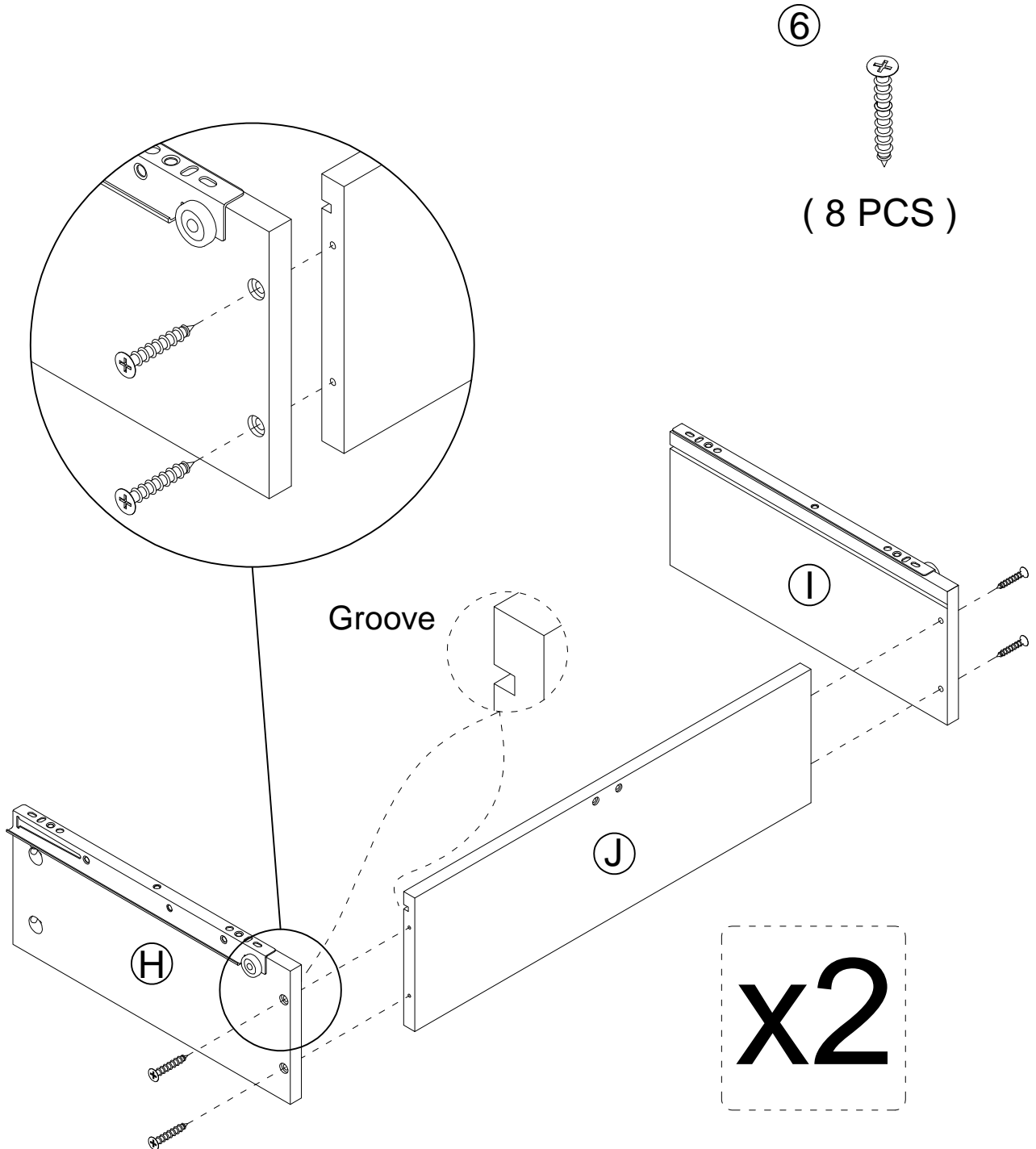


(10 PCS)



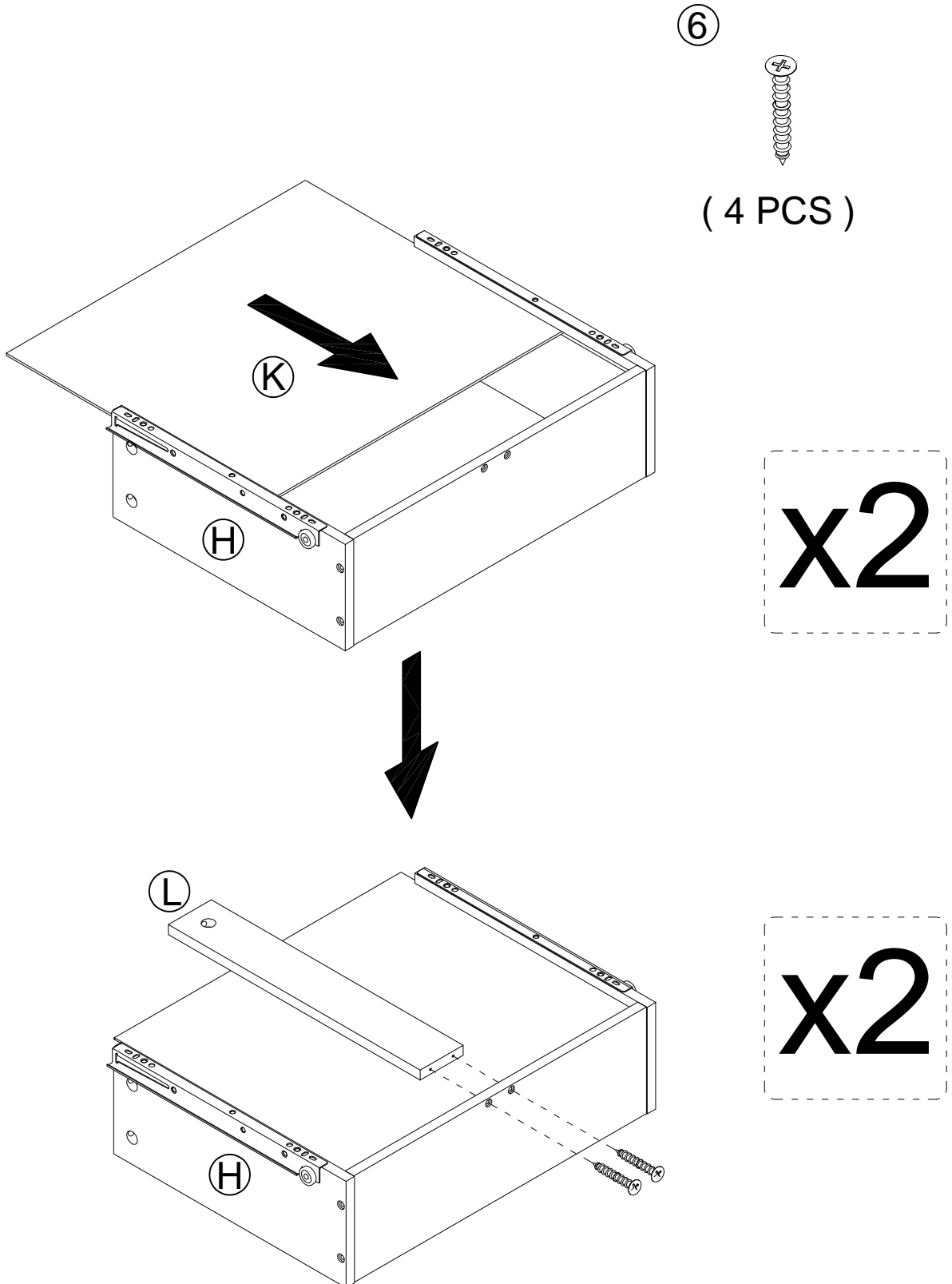
Step 10:

* Assemble the DRAWER BACK PANEL A (J) to the DRAWER LEFT PANEL A (H) and DRAWER RIGHT PANEL A (I) by the SCREW (6) .



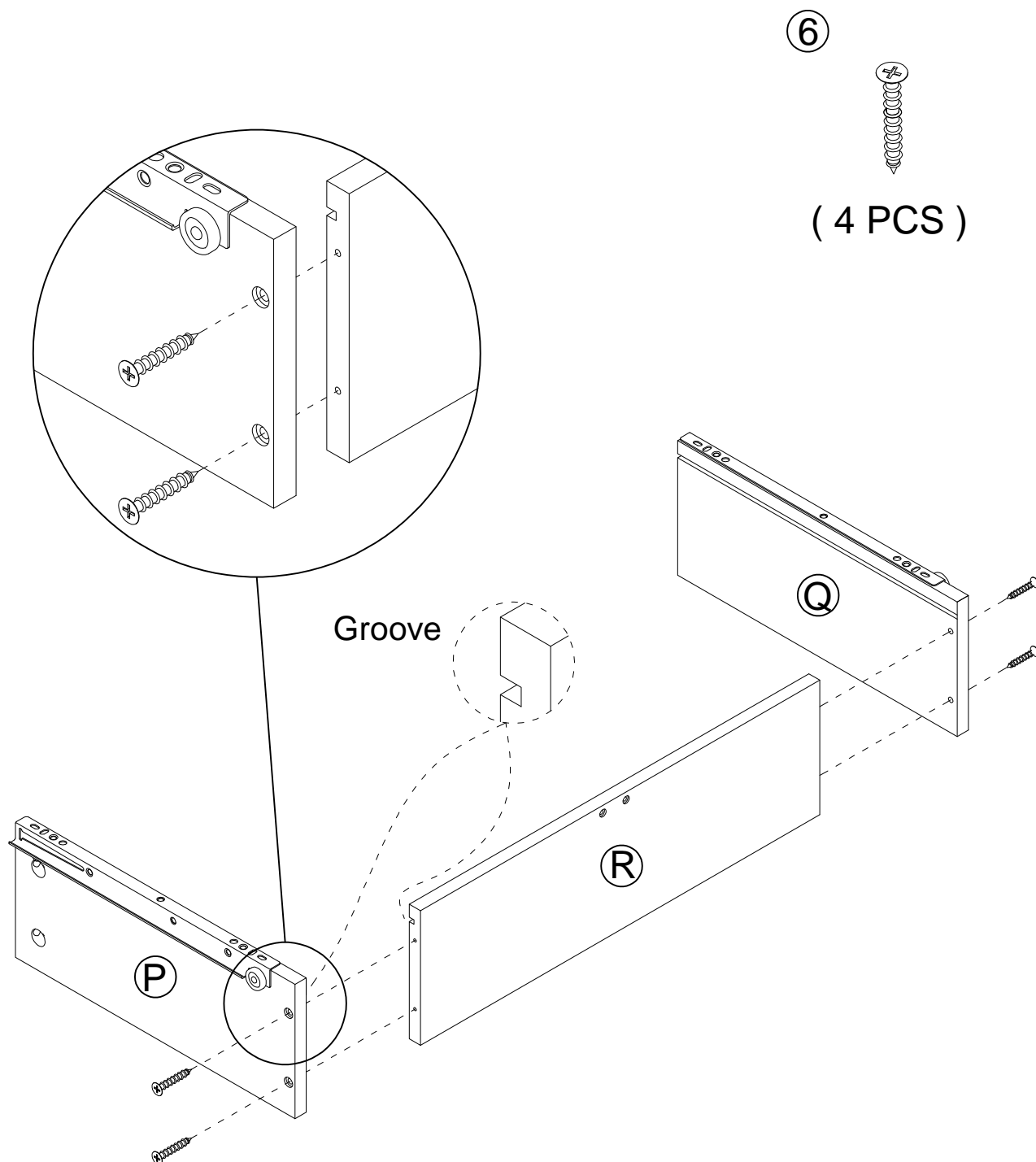
Step 11:

- * Slide in the DRAWER BOTTOM PANEL (K).
- * Assemble the DRAWER SUPPORT PANEL (L) to the DRAWER TRAY by the SCREW (6) .



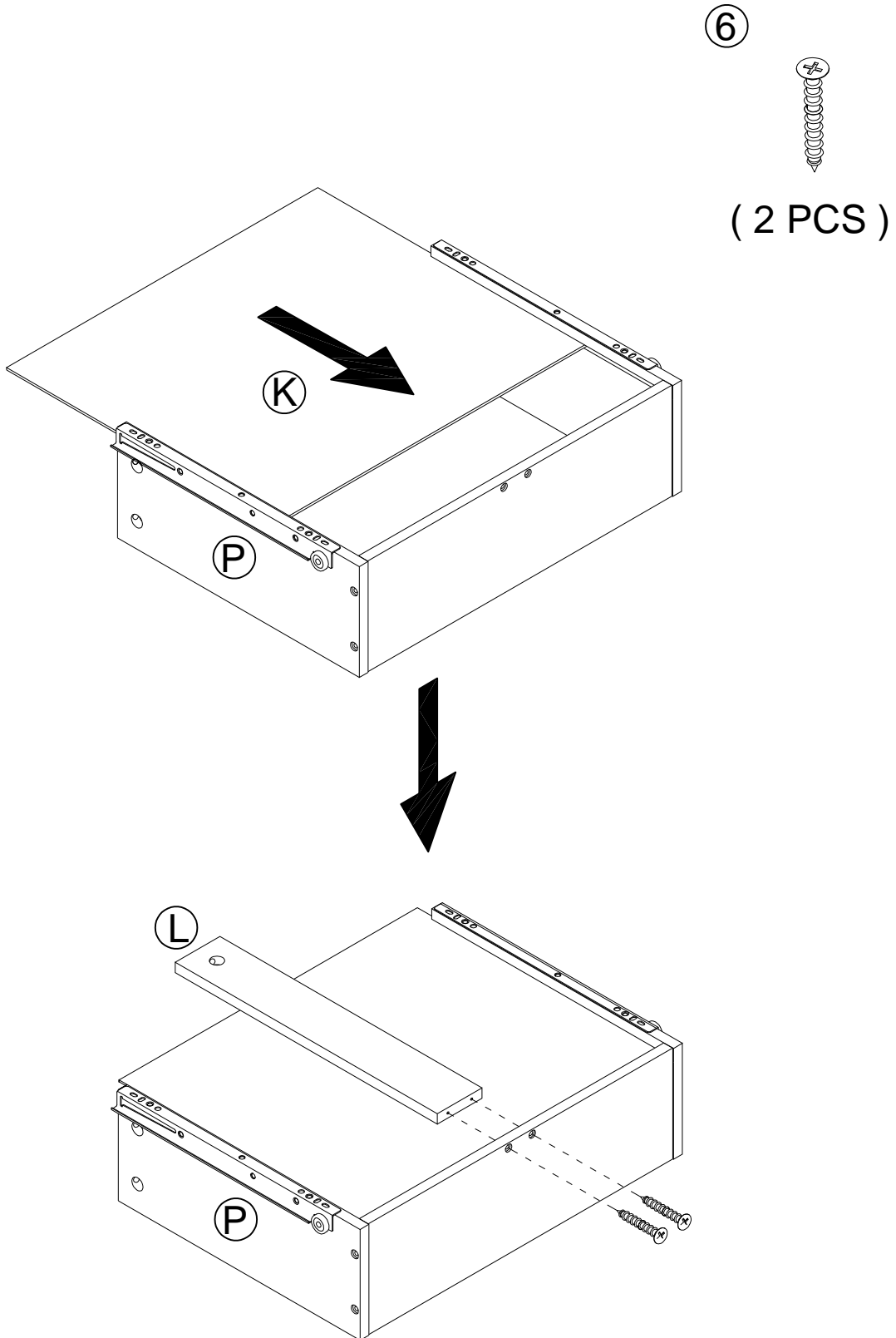
Step 12:

* Assemble the DRAWER BACK PANEL B(R) to the DRAWER LEFT PANEL B(P) and DRAWER RIGHT PANEL B(Q) by the SCREW (6) .



Step 13:

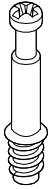
- * Slide in the DRAWER BOTTOM PANEL (K).
- * Assemble the DRAWER SUPPORT PANEL (L) to the DRAWER TRAY by the SCREW (6) .



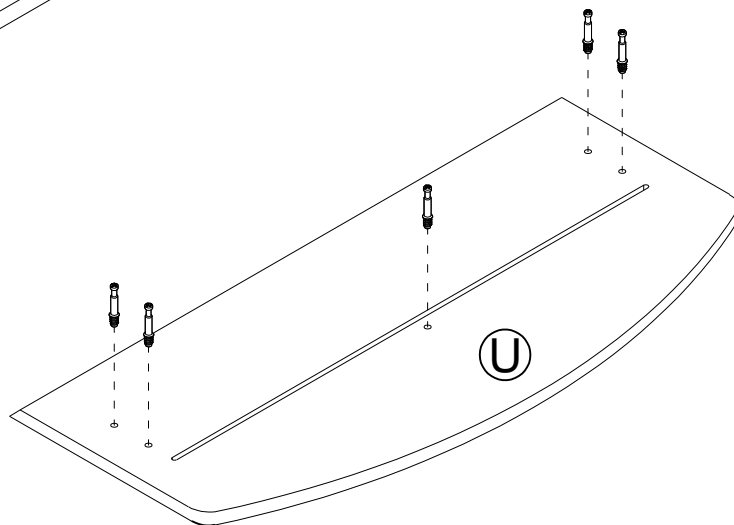
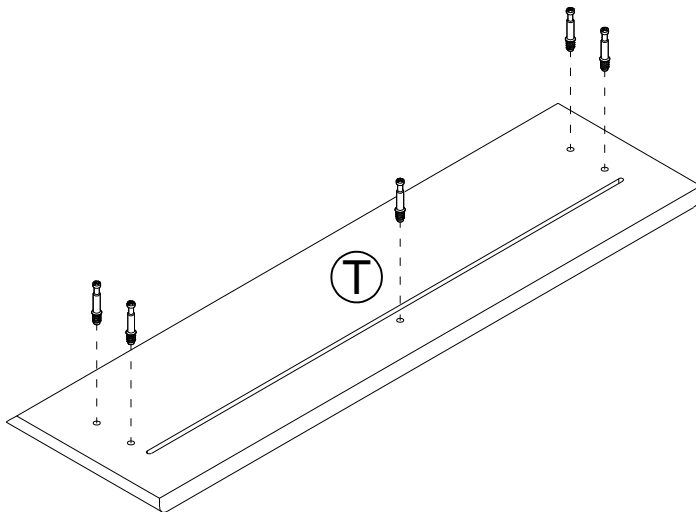
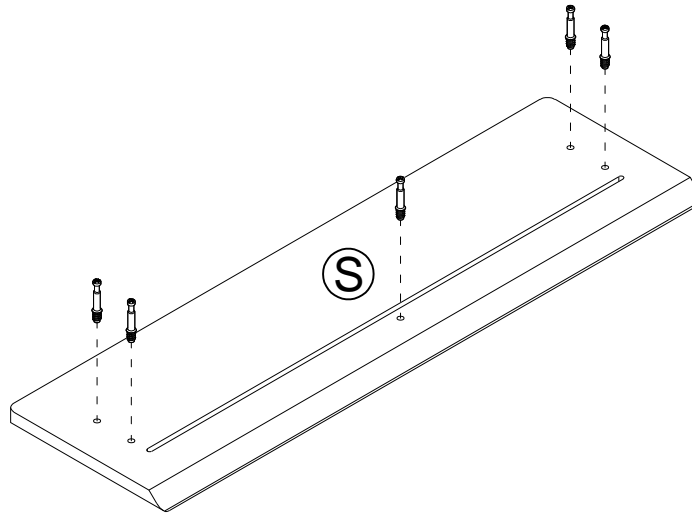
Step 14:

* Insert Fifteen KD BOLT (1) to the TOP DRAWER FRONT PANEL (S), MIDDLE DRAWER FRONT PANEL (T), BOTTOM DRAWER FRONT PANEL (U).

1



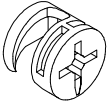
(15 PCS)



Step 15:

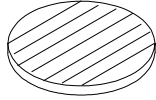
* Assemble the TOP DRAWER FRONT PANEL (S), MIDDLE DRAWER FRONT PANEL (T), BOTTOM DRAWER FRONT PANEL (U) to the DRAWER TRAY (H) by the Fifteen KD SMALL CAM (5) and Fifteen COVER CAP (3).

⑤

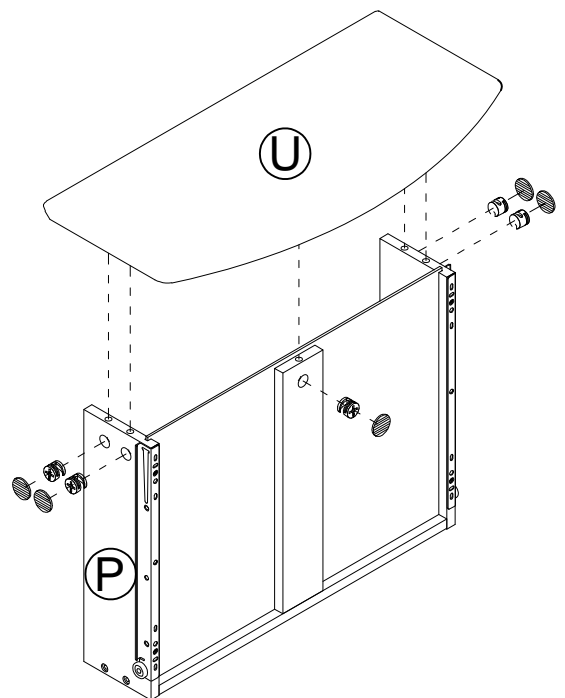
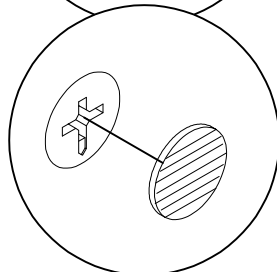
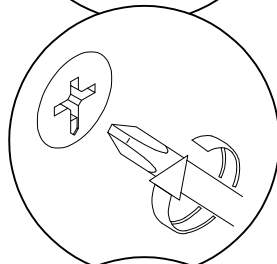
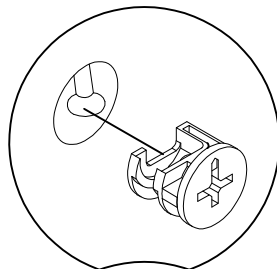
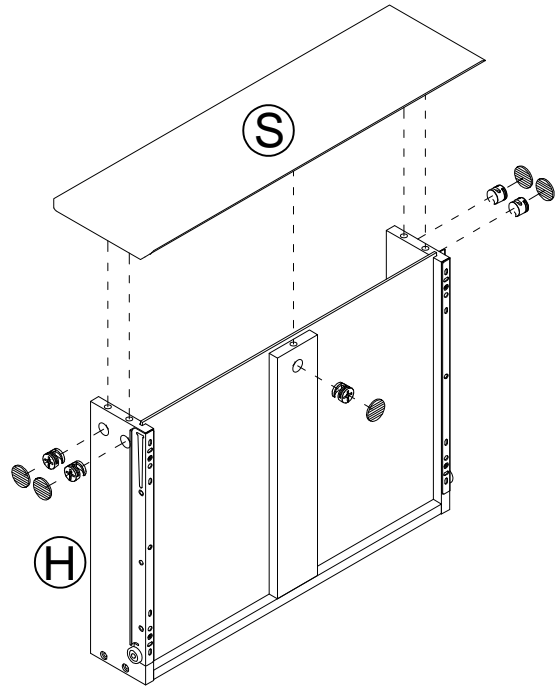
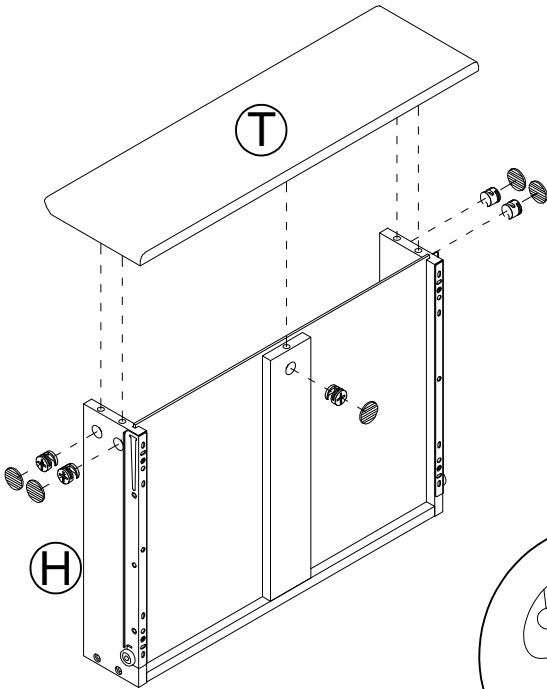


(15 PCS)

③

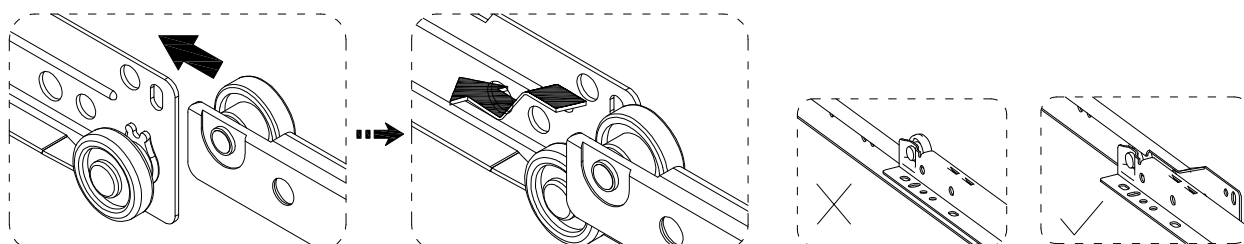
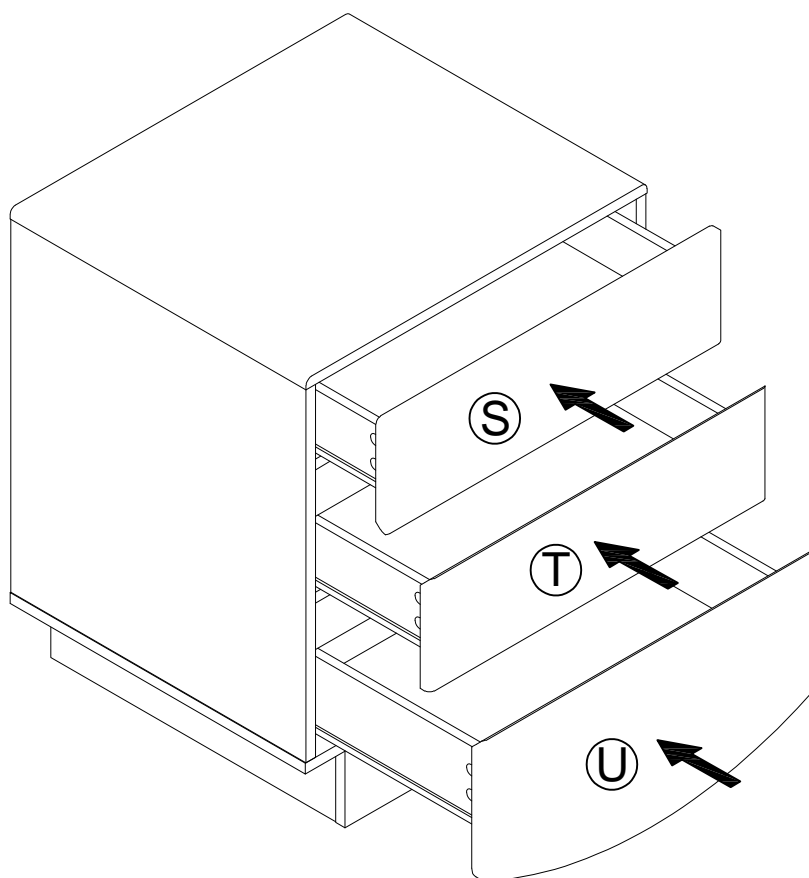


(15 PCS)



Step 16:

*Input Drawer tray to the stand.





WARRANTY POLICY

All Manhattan Comfort furniture products are warranted, to the original purchaser at the time of purchase and for a period of 30 days thereafter.

Our warranty is limited to new products purchased in factory sealed cartons. This warranty is valid in the United States of America and Canada.

In order to provide you with timely assistance, please thoroughly inspect your furniture for missing or defective parts immediately after opening the carton.

Manhattan Comfort offers a 30-day parts replacement warranty on all items.

Our furniture products are not intended for outdoor use.

THE WARRANTY DOES NOT COVER:

- Defects/damages by improper assembly or disassembly.
- Defects/damages caused by shipping. Claims for damage during transit should be placed immediately to the transportation company.
- Defects/damages caused by inappropriate use of the furniture.



319 Ridge Rd. Dayton, NJ 08810

908-888-0818