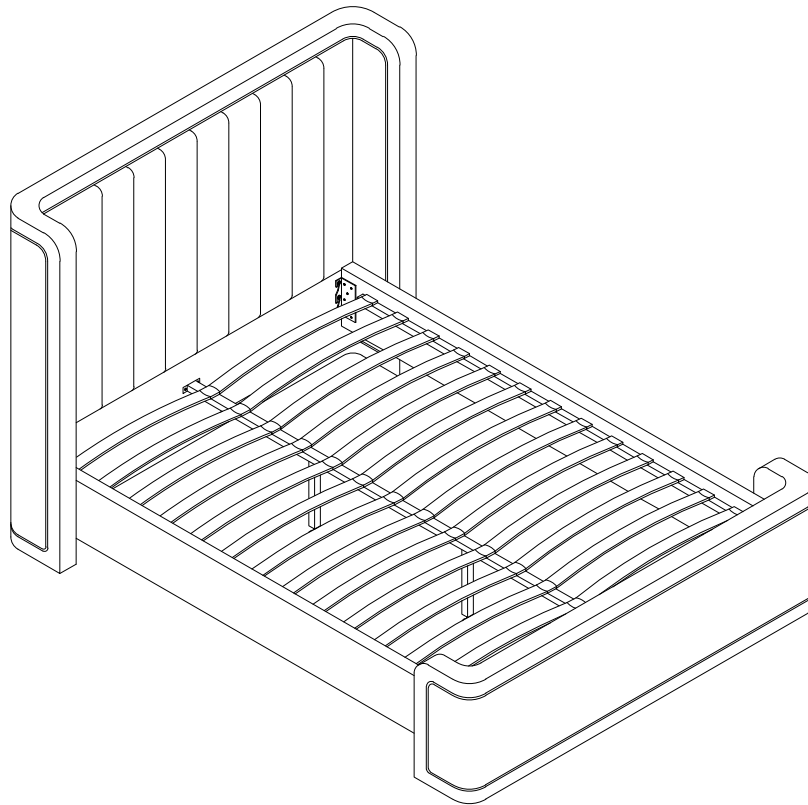


# **BD005**

## **60" x 80"**

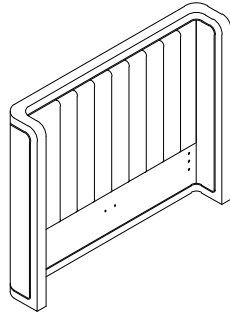


### **IMPORTANT NOTE**

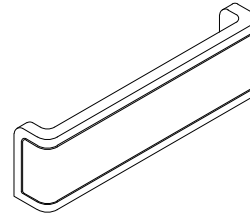
1. PLEASE CHECK THAT ALL PARTS ARE PRESENT BEFORE YOU START THE ASSEMBLY OF YOUR FURNITURE.
2. FOR THE PROTECTION OF YOUR FURNITURE, PLACE ALL PARTS ON A CLEAN AND SMOOTH SURFACE TO PREVENT ANY DAMAGE.
3. DO NOT USE POWER TOOLS TO ASSEMBLE THE BED.
4. PLEASE PERIODICALLY CHECK ALL FITTINGS AND RE-TIGHTEN AS NECESSARY.
5. DO NOT USE THE BED UNLESS ALL BOLTS AND SCREWS ARE FIRMLY SECURED.

## PART LIST

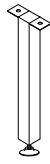
(1) Headboard x 1pc



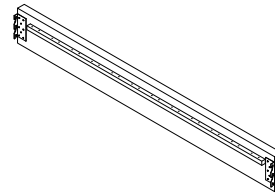
(2) Footboard x 1pc



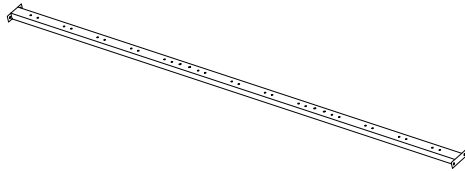
(3) Support Leg x 2pcs



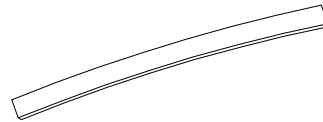
(4) Crossrail x 2pcs



(5) Centre Support Bar x 1pc



(6) Slat x 26pcs



(7) Double Plastic Cap x 13pcs

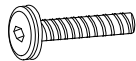


(8) Single Plastic Cap x 26pcs

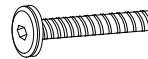


## HARDWARE LIST

(A) Bolt M8 x 30mm  
x 16pcs



(B) Bolt M8 x 40mm  
x 4pcs



(C) Nut M8 x 13mm  
x 4pcs



(D) Spring Washer  
x 12pcs



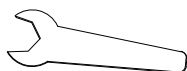
(E) Flat Washer x 20pcs



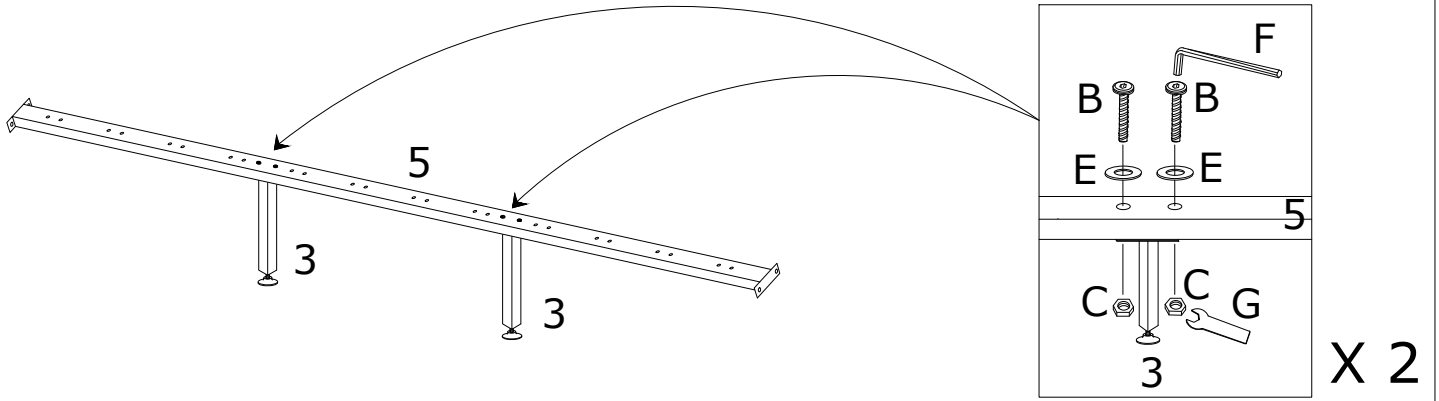
(F) Allen Key M5 x 1pc



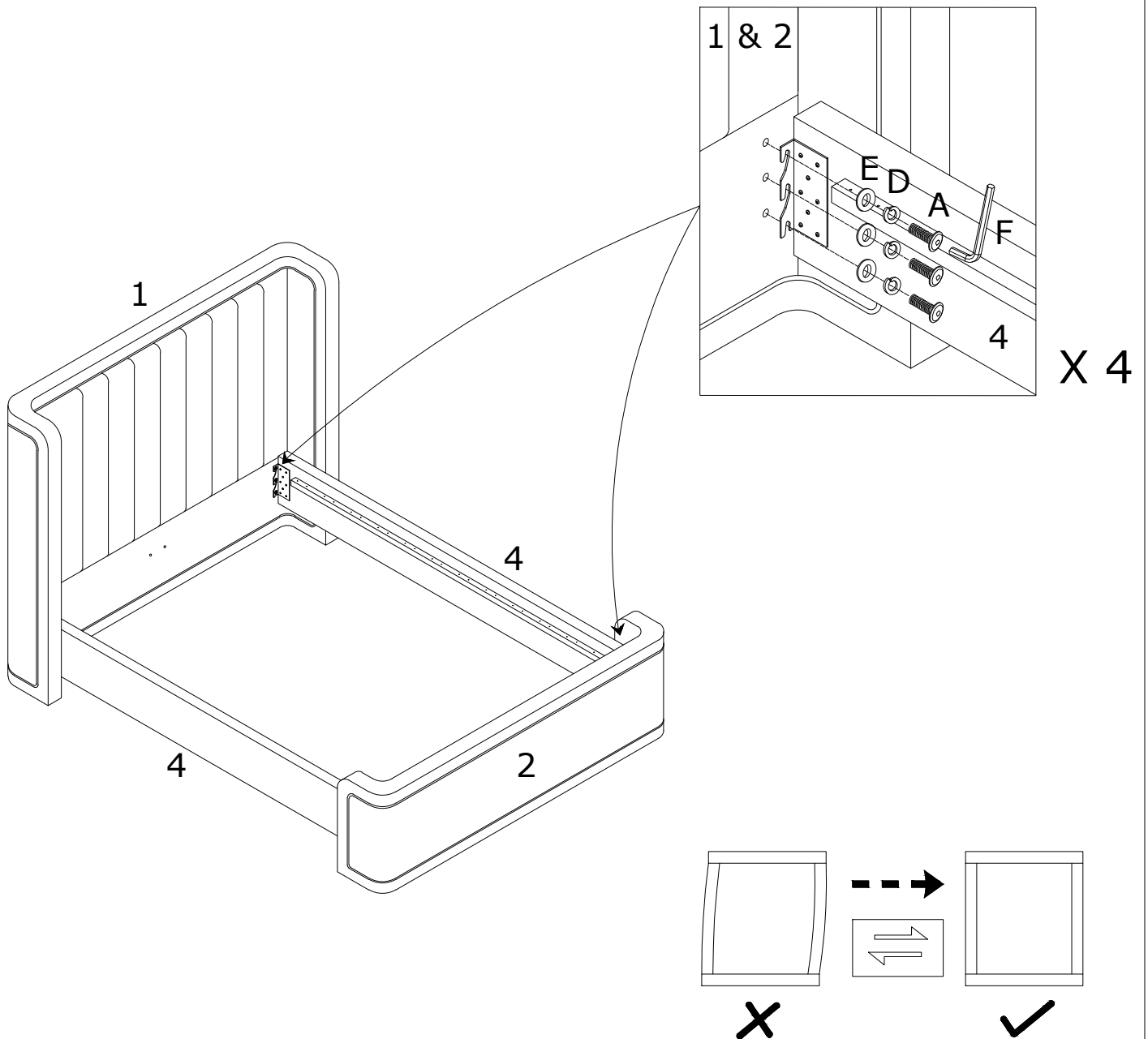
(G) Spanner x 1pc



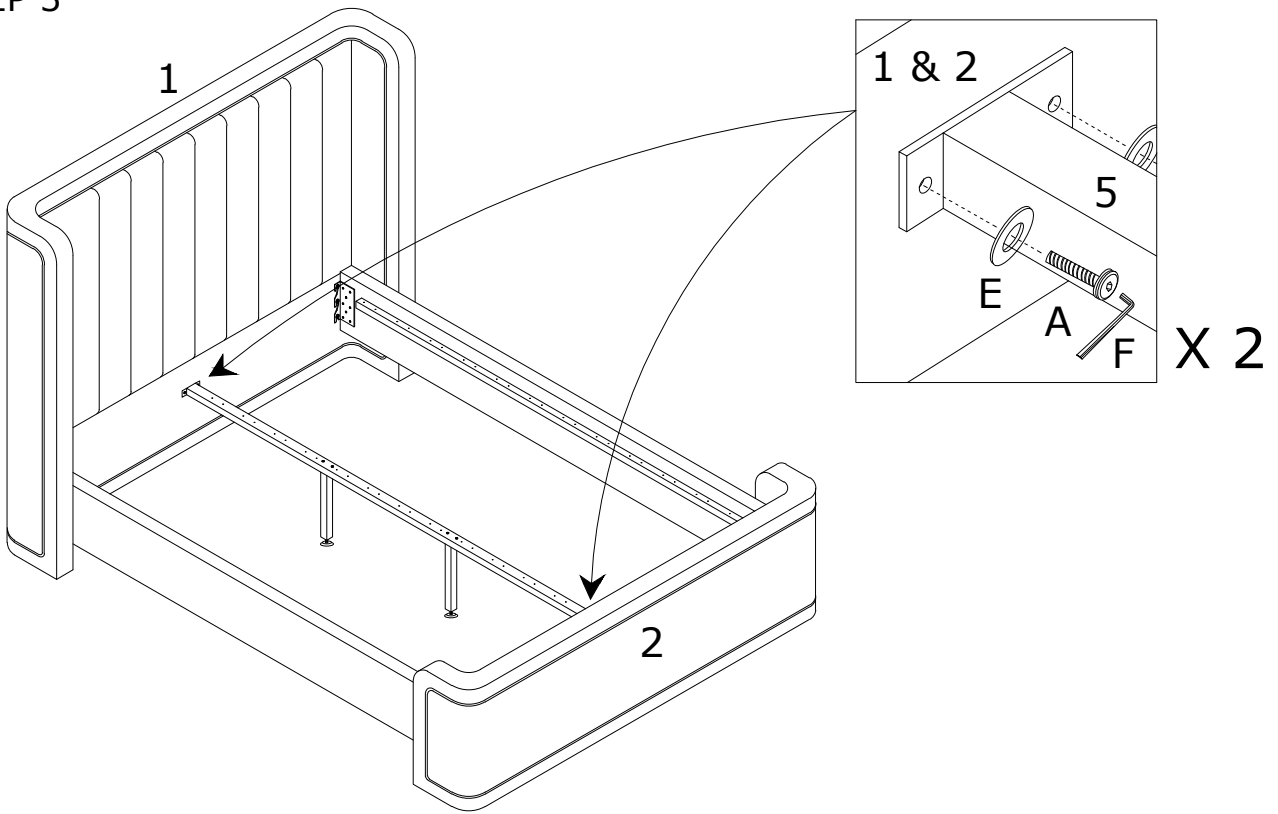
STEP 1



STEP 2



STEP 3



STEP 4

